

Submittal

Wireless Outdoor Sensor 087



Accessories

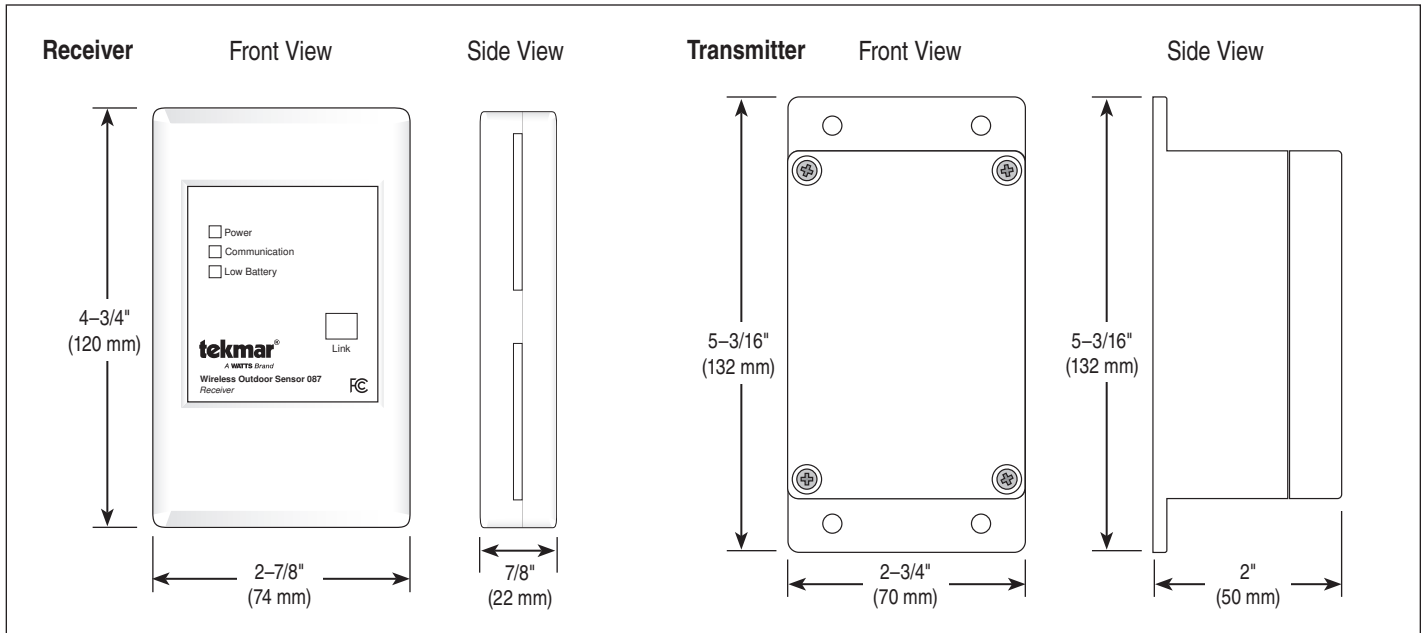
087_C

06/16

Replaces: New

Job _____ Designer _____ Contact _____

The tekmar Wireless Outdoor Sensor 087 provides outdoor temperature measurement in any application without exterior wiring. The transmitter and receiver are sold pre-linked and are installation-ready. With exceptional range and a 10-year battery life, the Wireless Outdoor Sensor 087 provides maximum accuracy, convenience and reliability.



Specifications

Wireless Outdoor Sensor 087	
Literature	087_D, 087_C
Dimensions	Transmitter: 5-3/16" H x 2-3/4" W x 2" D (132 x 70 x 50 mm) Receiver: 4-3/4" H x 2-7/8" W x 7/8" D (120 x 74 x 23 mm)
Enclosure	Transmitter: White ABS plastic, NEMA 4X Receiver: White PVC plastic, NEMA type 1
Packaged Weight	0.92 lb. (420g)
Sensor	NTC thermistor 5K, 10K Type 2, 10K Type 3, 12K and 20K
Approvals	FCC and IC
Operating range	Transmitter: -40 to 140°F (-40 to 60°C) Receiver: Indoor use only, 32 to 122°F (0 to 50°C), RH ≤90% non-condensing
Receiver power	24 V (ac) +/- 10%, 1 VA
Warranty	Limited 3 Year (See 087_D for full warranty)

Features

- Compatible with all tekmar controls and thermostats as well as other manufacturers products
- 10K (type 2 and 3), 5K, 12K and 20K resistance setting options
- Low transmitter battery status indicator on the receiver
- Power and communication indicator lights
- Transmitter temperature range of -40°F to 140°F (-40°C to 60°C)
- Long battery life (minimum 10 years) with included 1.5V lithium AA batteries
- 5000 ft. (1500 m) open range
- 8 walls / 250 ft. (75 m) indoor range

SPECIAL REQUIREMENTS

The 087 receiver requires a dedicated 24 V (ac) power supply when connecting to other 24 V (ac) equipment.



A WATTS Brand

All specifications are subject to change without notice.

Tel: (250) 545-7749 • Fax: (250) 984-0815
tekmarControls.com