



# Quiet-One Kickspace Heaters

by Smith's Environmental Products

*Designed For Those Hard To Heat Areas Of Your Home*



# Quiet-One Kickspace Heaters

by Smith's Environmental Products

*Designed For Those Hard To Heat Areas Of Your Home*

**Construction:** The one piece chassis is manufactured from high grade zinc coated steel. The grille and exposed parts of the chassis are painted with a copper/brown baked enamel finish.

**Heat Exchanger:** A highly efficient, headered coil, made of copper tubes expanded into smooth aluminum plate fins (10 FPI), tested at 300 PSI, and sealed for quality. The heat exchanger is positioned in the unit for maximum heat transfer over the coil.

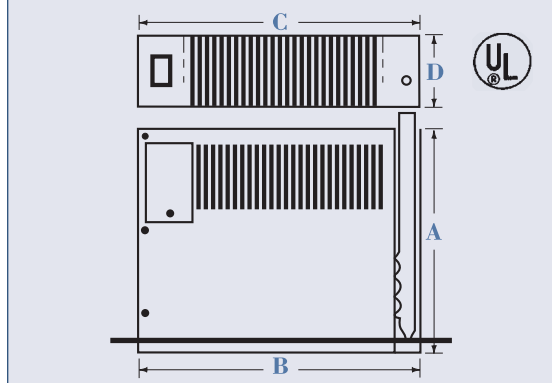
**Fan and Motor Assembly:** High spec tangential EBM fan and motor assembly consists of high static fan wheel and scroll, detachable motor, replaceable "easy glide" sleeve bearings, and the fan and motor cut out are protected to UL/CSA specifications. This fan and motor assembly is designed to enhance the "coanda" effect, and to run whisper quiet without vibration.

**Controls:** The KS units have an integral two speed, max.-off-min., fan switches (optional wall mounted fan speed controller is available). The LTC —low limit aquastat is also a high spec item with a close tolerance designed to close on a rise to 110° F +/- 3° F and open at 90° F +/- 3° F.

**Water Connections:** Supply and return connections are 1/2" sweat connections located to the right of the unit as you face the grille. An air vent with wide convenient screwdriver slot is accessible through the grille.

**Electrical Connections:** 120/60/1 power supply is required. All that's required is to knock out the junction box hole you want to use and wire to the L1 and L2 leads. There is a convenient one screw access plate on the top of the unit to get at the ground.

Dimensions					
Model #	A	B	C	D	Wt.(lbs.)
KS 2004	10 7/8"	13 3/8"	13 3/8"	3 1/2"	9
KS 2006	10 7/8"	13 3/8"	20"	3 3/8"	10
KS 2008	10 7/8"	13 3/8"	20"	3 3/8"	10
KS 2010	14 1/2"	17 3/2"	23 3/8"	4"	14



Fan Convector/Baseboard Comparison		
At 200°F EWT; 20°TD Model#	At 650 BTU/FT Baseboard	Low Pressure Steam C.I. Radiators
KS 2004	6.97 linear ft.	18.9 square ft.
KS 2006	11.6 linear ft.	31.4 square ft.
KS 2008	14.5 linear ft.	39.3 square ft.
KS 2010	17.8 linear ft.	48.0 square ft.

Capacity for the Quiet-One 2000 Kickspace Heaters - BTU/HR @ 65°F Entering Air											
Unit	Flow Rate G.P.M.	Pressure Drop (ft.)	Entering Water Temperature (Deg. F.) - BTU/hrs.								
			130	140	150	160	170	180	190	200	210
KS 2004	1	0.06	2095	2410	2700	3000	3350	3650	3860	4000	4105
	3	0.422	2240	2650	3000	3350	3765	4120	4350	4530	4635
	5	1.026	2350	2755	3140	3530	3940	4330	4590	4810	4935
KS 2006	1	0.12	3410	4050	4655	5265	5860	6330	6700	7110	7270
	3	1.19	3735	4395	5060	5735	6330	6825	7120	7530	7790
	5	2.6	3860	4540	5225	5910	6560	7030	7415	7800	8010
KS 2008	1	0.12	4300	5000	5765	6500	7370	7960	8400	8735	8920
	3	1.19	4580	5380	6195	7050	7930	8610	9010	9445	9740
	5	2.6	4760	5625	6450	7290	8200	8925	9360	9785	10020
KS 2010	1	0.41	5530	6350	7150	7975	8780	9465	9975	10330	10520
	3	2.78	5880	6710	7740	8710	9625	10540	11060	11530	11740
	5	3.92	6070	7030	8000	9030	10025	10920	11525	11995	12180

• For low speed ratings use: .85 for the KS2004, .75 for the KS2006, .70 for the KS2008, and .65 for the KS2010.  
 • Heat throw: KS2004 = 10 ft. @ 50 CFM; KS2006 = 10 ft. @ 75 CFM; KS2008 = 10 ft. @ 90 CFM; KS2010 = 10 ft. @ 125 CFM.  
 • As part of our continuous product improvement, Smith's Environmental Products reserves the right to alter specifications without notice.



- *Whisper Quiet Efficient Operation*
- *Four Sizes To Choose From*
- *Installer Friendly*
- *Easily Fits Into Tight Spaces*
- *Decorative Grilles Available In Brown, Gold, White, Silver & Chrome*
- *5 Year Warranty*

## Features

- Four sizes for increased diversity as well as more effective sizing from job to job.
- Small and compact, will fit in most tight spaces or hard to heat areas. Just use your imagination!
- Highly efficient, provides enhanced energy savings, increased heat transfer capability, and ensures quiet reliable delivery of "comfort."
- Whisper quiet, low noise, low vibration fan system with "easy glide" bearings, along with the famous "coanda" component means "quiet comfort" delivered time after time after time.
- Highly efficient header type coil, fully oriented to the air stream, this coil arrangement has proven its high capacity BTU/hr yield with quick heat up response under all kinds of certified conditions.
- Installer friendly, the friendliest in the industry. No need to screw our 2000 Series to the floor as it comes with integral antislip antivibration floor mountings. We even offer hose kits for quick fit up and installation flexibility.
- Air vent is accessible through the front grille for ease of bleeding.
- Tested to UL standards. All units carry the UL label.
- Quality product with an, all new, 5 YEAR WARRANTY.



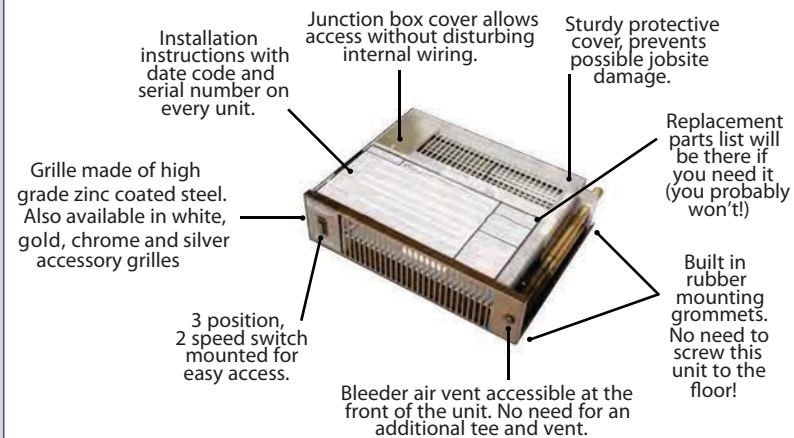
## Quiet-One 2000 Kickspace Heater

*The easiest kickspace heater in the industry to install... especially when you use the QFHK-8 hose kit!*

Quiet-One Kickspace Heaters from Smith's Environmental Products are designed to provide a unique yet purposeful solution to those "hard-to-heat" areas. With four sizes to choose from, the Quiet-One 2000 Series offers great flexibility and units can be matched more precisely to the demands of the job site.

The Quiet-One 2000 offers high BTU output at low decibel levels. Maximum BTU output from a small footprint is the hallmark of the Quiet-One 2000 products. This ensures maximum utilization of floor and wall space in such rooms as kitchens and baths where space is at a premium.

## The Finest Kickspace Heaters Under The Sun!



## Versatile Too... Install it in the Wall!

## Accessories

*Many to choose from to fit your color and style*

- ~ Recessed wall kits
- ~ Decorator grilles in brown, white, gold, silver and chrome
- ~ Quick fit hose kits for ease of installation



## Easily Installed Installer friendly

Quiet-One 2000 Series kickspace heaters are totally enclosed units which slip easily under a cabinet or in a wall. All that is required are solder connections and power to the easy access junction box. Once these connections are made, the installation is complete.

To further simplify your installation; we offer "quick fit hose kits." The Quick-Fit Hose Kit is designed to make your job easier when installing Quiet-One kickspace heaters, and



pleases your customers because there is less cutting of their cabinets. The only hole you have to cut is in the kickboard of the cabinet.



## Application Flexibility Limited only by your imagination

Our Series 2000 kickspace heaters are engineered for use in hard to heat places such as stair risers, dressing rooms, book - cases, booth seating in restaurants, pubs and many other low level areas. We can be hooked up to boilers, hot water heaters, heat exchangers, ground source heat pumps, geo thermal heat sources and reclamation heat sources.



## Energy Savings

*Peak performance at lower costs*

Quiet-One 2000 Series kickspace heaters have a highly efficient heat exchanger with low water content which allows the built-in thermostat to respond quickly, saving fuel (because it only operates when the boiler is on) while supplying warm air throughout the room. The combination of the "High E" heat exchanger and a low power motor and a fan with "easy glide" sleeve bearings ensures low electrical usage (equal to a 40 watt light bulb).