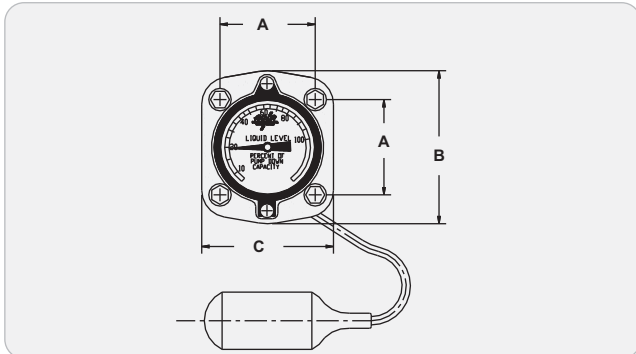


RECEIVER ACCESSORIES

LIQUID LEVEL GAUGES FOR RECEIVERS



Part No	Receiver Diameter	Dimensions (inch)		
		A	B	C
S-9450	8-5/8	1.77	2.87	2.45
S-9451	10-3/4	1.77	2.87	2.45
S-9452	12-3/4	1.77	2.87	2.45
S-9453	14	1.77	2.87	2.45
S-9454	16	1.77	2.87	2.45
S-9455	18	1.77	2.87	2.45
S-9456	20	1.77	2.87	2.45

Applications

Henry Technologies' Liquid Level Gauges are designed for use on Horizontal Liquid Receivers between 8-5/8" and 20" diameter. Mounting Flanges are not included on most Receivers. Please contact Technical Support at 1-800-627-5148 for application assistance.

Henry Technologies' Liquid Level Gauges are suitable for use with HFC and HCFC refrigerants and their associated oils.

Technical Specifications

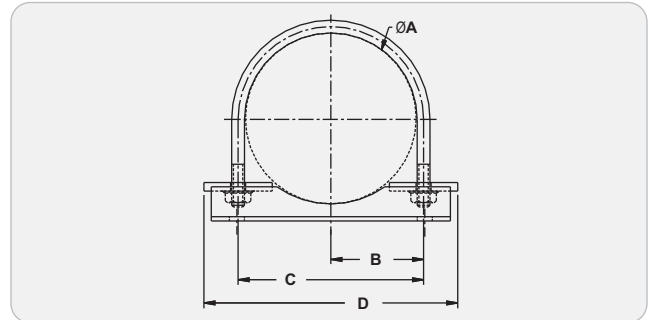
Maximum working pressure = 300 PSI (20.7 Bar)

Allowable operating temperature = -20°F to +250°F (-29°C to +121°C)

Installation - Notes

1. Liquid Level Gauges are to be installed horizontally.
2. Full instructions are given in the Product Instruction Sheet, included with each Gauge.

MOUNTING BRACKET ASSEMBLIES



Part No	Dimensions (inch)			
	ØA	B	C	D
3-019-905	5.0	2.72	5.44	7.44
3-019-906	6.0	3.22	6.44	8.44
3-019-908	8-5/8	4.53	9.06	10.18
3-019-910	10-3/4	5.60	11.20	12.33
3-019-912	12-3/4	6.66	13.32	14.45

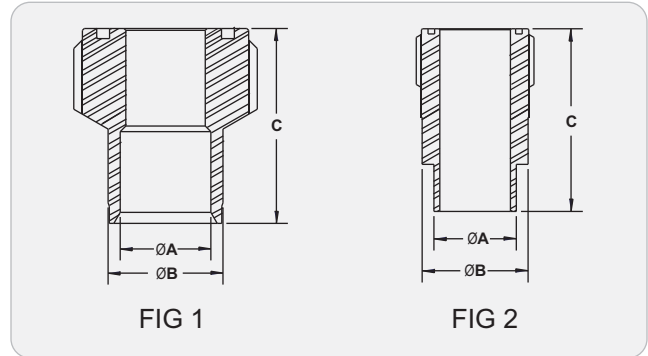
Applications

Henry Technologies Mounting Brackets are designed for use on vessels between 5" and 12.75" diameter. Mounting hardware for the bracket is not included.

Installation - Notes

1. Mounting brackets are designed for use on horizontal vessels only. Do not use on vertically mounted vessels.

ROTALOCK SPUDS



Part No	Fig No	Thread (inch)	Dimensions (inch)		
			ØA	ØB	C
2-009-037	1	1"-14	.497	.625	1.06
3-009-308	2	1-1/4" - 12	.875	1.125	1.94
2-009-046	1	1-3/4" - 12	1.125	1.375	1.72

Applications

Henry Technologies' Rotalock Spuds are available as an accessory for applications where an industry standard Rotalock connection is needed. Rotalock spuds are made of steel and can be welded in or brazed in based on the application. Henry Technologies offers a full line of Rotalock Valves in SAE Flare and ODS connections. See the Rotalock Valve section for details.

Installation - Notes

1. External threads must be protected from spatter on weld in applications.
2. Ensure Rotalock fittings are cool and clean before installing Teflon seal and Rotalock valves.