

SIGHT GLASSES

The function of a Sight Glass is to provide visual indication of fluid level or flow within a vessel or piping system.

Applications

Henry Technologies offers three series of NPT Sight Glasses for use in a variety of refrigeration and industrial applications. The Sight Glasses are available with Clear Lens, Reflex Lens, and Clear Lens with Floating Ball. The Clear Lens design allows for unobstructed visual inspection of fluid level or flow. The Reflex Lens is designed to allow easier fluid level inspection by appearing dark when liquid is present and light when liquid is absent. The Float Ball series is also designed to provide easier inspection of fluid level. The standard Float Ball is made of TPX plastic and will float in an fluid with a specific gravity greater than 0.85.

Henry Technologies' SG-1000 and SG-1100 series Sight Glasses are suitable for use with ammonia, HFC and HCFC refrigerants and their associated oils, as well as other industrial fluids non-corrosive to steel and glass. SG-1200 series Sight Glasses are suitable for use with HFC and HCFC refrigerants and their associated oils, as well as other industrial fluids non-corrosive to steel, glass and TPX plastic.

Main Features

- NPT connection
- Hermetically sealed viewing lens
- High pressure rating
- Plated steel housing
- Three lens configurations for a variety of applications

Technical Specifications

Maximum working pressure = 1000 PSI (68.9 Bar)

Allowable operating temperature SG-1000, SG-1100 = -20°F to +500°F (-29°C to +260°C)

Allowable operating temperature SG-1200 = -20°F to +300°F (-29°C to +149°C)

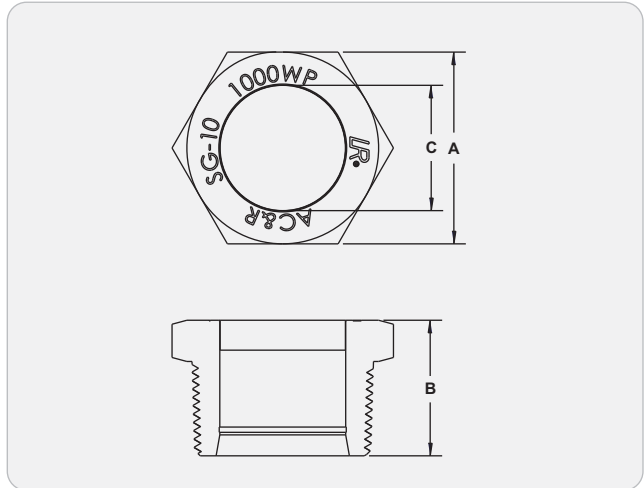
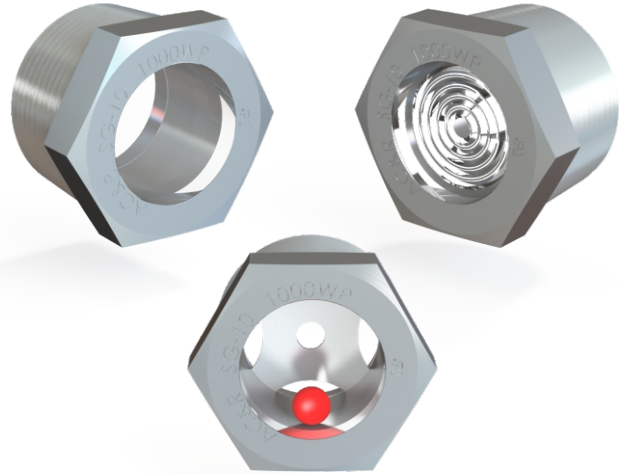
Henry Technologies' Sight Glasses are USR and CNR recognized by Underwriters Laboratories, Inc. Additionally, all Sight Glasses are designed and registered for use in Canada. Please contact Technical Support at 1-800-627-5148 for CRN details and list of approved provinces and territories. Sight Glasses can be CE marked in accordance with PED by adding a "-CE" suffix to the part number. (i.e. SG-1008-CE)

Materials of Construction

All Sight Glasses feature a plated steel body with hermetically sealed soda lime glass lens. The SG-1200 series Sight Glasses come standard with a TPX plastic Float Ball but are available with an aluminum Float Ball by adding a "C" suffix. (i.e. SG-1208C)

Installation - Notes

1. Install with socket wrench to avoid glass cracking. An open-end wrench should not be used.
2. The user must ensure the Sight Glass is installed with appropriate thread sealant for the application.
3. Full instructions are given in the Product Instruction Sheet, included with each Sight Glass.



	Part No		NPT (inch)	Dimensions (inch)			CE Cat*	CE Cat Ammonia*	Weight (lbs)	
	Clear	Reflex		Clear with Ball	A (hex)	B				C
	SG-1004	SG-1104	SG-1204	1/2	0.94	0.96	0.56	SEP	SEP	0.13
	SG-1006	SG-1106	SG-1206	3/4	1.12	1.06	0.75	SEP	SEP	0.25
	SG-1008	SG-1108	SG-1208	1	1.38	1.32	0.94	SEP	SEP	0.25
	SG-1010	SG-1110	SG-1210	1-1/4	1.75	1.38	1.19	SEP	CAT II	0.50
	SG-1012	SG-1112	SG-1212	1-1/2	2.00	1.41	1.31	CAT I	CAT II	0.50
	SG-1016	SG-1116	SG-1216	2	2.50	1.42	1.63	CAT I	CAT II	1.00

*Optional Cat I and II CE models available by adding "-CE" suffix to part number. (i.e. SG-1112-CE)