

Series LF957RPDA, LF957NRPDA, LF957ZRPDA / 957RPDA, 957NRPDA, 957ZRPDA

Reduced Pressure Detector Assemblies

Sizes: 2½" – 10" (65 – 250mm)



LF957NRPDA0SY

Features

- Extremely compact design
- 70% lighter than traditional designs
- 304 (Schedule 40) stainless steel housing & sleeve
- Groove fittings allow integral pipeline adjustment
- Patented torsion spring check provides lowest pressure loss
- Unmatched ease of serviceability
- Replaceable check disc rubber
- Available with grooved butterfly valve shutoffs
- Bottom mounted cast stainless steel relief valve
- Metered bypass to detect leakage or theft of water from the fire sprinkler system

Pressure-Temperature

Temperature Range: 33°F – 110°F
(0.5°C – 43°C)
Maximum Working Pressure: 175psi
(12.1 bar)

Models

Suffix:

- OSY** – UL/FM outside stem and yoke, resilient seated gate valves
- BFG** – UL/FM grooved gear operated butterfly valves with tamper switch
- *OSY FxG** – Flanged inlet gate connection and grooved outlet gate connection
- *OSY GxF** – Grooved inlet gate connection and flanged outlet gate connection
- *OSY GxG** – Grooved inlet gate connection and grooved outlet gate connection

Available with grooved NRS gate valves - consult factory*

Post indicator plate and operating nut available - consult factory*

*Consult factory for dimensions

LF957RPDA, LF957NRPDA, LF957ZRPDA

LEAD FREE

Series LF957RPDA, LF957NRPDA, 9LF57ZRPDA Reduced Pressure Detector Assemblies provide protection to the potable water system from contamination in accordance with national plumbing codes. The LF957RPDA, LF957NRPDA, LF957ZRPDA are normally used in health hazard applications to protect against back-siphonage and backpressure. The Watts LF957RPDA, LF957NRPDA, LF957ZRPDA are used to monitor unauthorized use of water from the fire protection system. They feature Lead Free* construction to comply with Lead Free* installation requirements.

Materials

- Housing & Sleeve: 304 (Schedule 40) Stainless Steel
- Elastomers: EPDM, Silicone and Buna 'N'
- Torsion Spring Checks: Noryl®, Stainless Steel
- Check Discs: Reversible Silicone or EPDM
- Test Cocks: Bronze Body Nickel Plated
- Pins & Fasteners: 300 Series Stainless Steel
- Springs: Stainless Steel
- Bypass: Lead Free* materials

Approvals



*The wetted surface of this product contacted by consumable water contains less than 0.25% of lead by weight.

957RPDA, 957NRPDA, 957ZRPDA

For Use in Non-Potable Applications

Series 957RPDA, 957NRPDA, 957ZRPDA Reduced Pressure Detector Assemblies are designed to protect drinking water supplies from dangerous cross-connections in accordance with national plumbing codes and water authority requirements for non-potable service applications such as irrigation, fireline, or industrial processing. The 957RPDA, 957NRPDA, 957ZRPDA are normally used in health hazard applications to protect against back-siphonage and backpressure. The Watts 957RPDA, 957NRPDA, 957ZRPDA are used to monitor unauthorized use of water from the fire protection system.

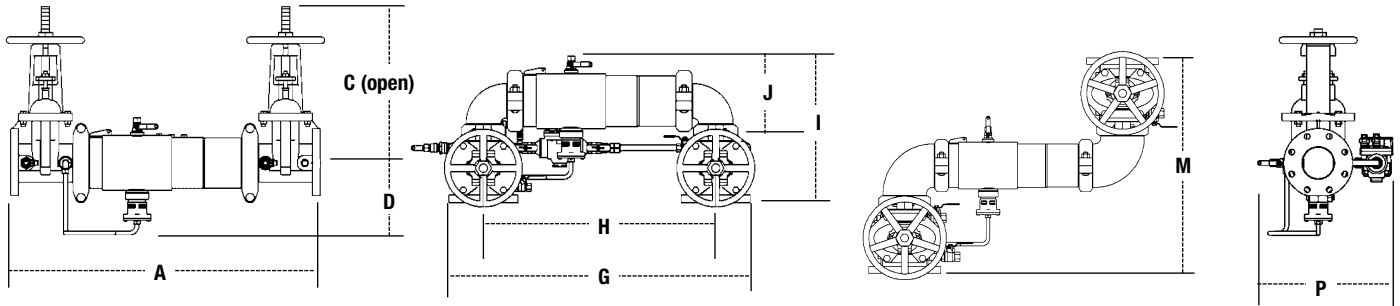
Materials

- Housing & Sleeve: 304 (Schedule 40) Stainless Steel
- Elastomers: EPDM, Silicone and Buna 'N'
- Torsion Spring Checks: Noryl®, Stainless Steel
- Check Discs: Reversible Silicone or EPDM
- Test Cocks: Bronze Body Nickel Plated
- Pins & Fasteners: 300 Series Stainless Steel
- Springs: Stainless Steel

Approvals

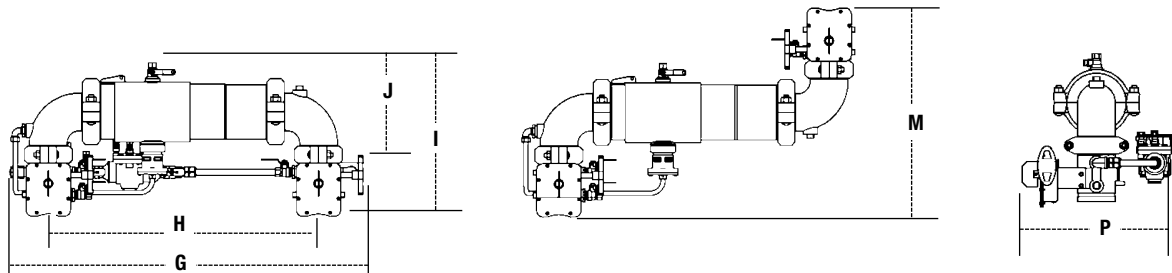


Dimensions and Weights



LF957RPDAOSY / 957RPDAOSY

SIZE	DIMENSIONS														WEIGHT							
	A		C (OSY)		D		G		H		I		J		M		P		957RPDA		957NRPDA	
in.	in.	mm	in.	mm	in.	mm	in.	mm	in.	mm	in.	mm	in.	mm	in.	mm	in.	mm	lbs.	kgs.	lbs.	kgs.
2½	31	787	16¾	416	6½	165	29⅛	738	22	559	15½	393	8⅓	223	21⅞	548	13⅜	335	142	64	150	68
3	31⅛	805	18⅞	479	6⅛	170	30¼	768	22¾	578	17⅞	435	9⅝	233	23⅞	587	14½	368	162	73	175	79
4	33⅛	856	22¾	578	7	178	33	838	24	610	18½	470	9⅝	252	26½	673	15⅜	386	178	81	201	91
6	43½	1105	30⅞	765	8½	216	44¾	1137	33¾	857	23⅜	589	13⅛	332	32¾	832	19	483	312	142	353	160
8	50	1270	37¾	959	9⅛	246	54⅞	1375	40⅞	1032	27⅛	697	15⅛	399	37⅞	943	21⅜	538	497	225	572	259
10	57½	1460	45¾	1162	11⅛	285	66	1676	50	1270	32½	826	17⅞	440	46⅞	1178	24	610	797	362	964	437



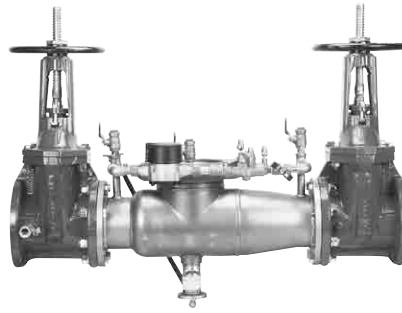
LF957RPDABFG / 957RPDABFG

SIZE	DIMENSIONS										WEIGHT			
	G		H		I		J		M		P		957RPDABFG	
in.	in.	mm	in.	mm	in.	mm	in.	mm	in.	mm	in.	mm	lbs.	kgs.
2½	32½	826	23½	597	15½	394	9½	241	21⅜	555	15⅞	402	81	37
3	34	864	24½	622	16⅞	414	10⅞	256	23⅞	587	16⅞	410	84	38
4	35⅞	905	26	660	17⅞	437	10⅞	279	24⅞	634	16⅞	422	101	46
6	46½	1181	35⅞	908	20½	521	13½	343	28¼	718	19	483	174	79

Series 994RPDA

Reduced Pressure Detector Assemblies

Sizes: 2½" – 6" (65 – 150mm)



994RPDA0SY

Features

- Stainless steel construction provides long term corrosion resistance and maximum strength
- Stainless steel body is half the weight of competitive designs reducing installation and shipping costs
- Short end to end dimensions makes retrofit easy
- Bottom mounted relief valve reduces clearance requirements when installed against an outside wall
- Torsion spring check valves provides maximum flow at low pressure drop
- Thermoplastic & stainless steel check valves for trouble-free operation
- No special tools required for servicing
- Compact construction allows for smaller enclosures
- Stainless steel relief valve features a balanced rolling diaphragm to eliminate sliding seals and lower maintenance costs
- Detects underground leaks and unauthorized water use.
- GPM or CFM meter available

Pressure-Temperature

Temperature Range: 33°F – 110°F
(0.5°C – 43°C)
Maximum Working Pressure: 175psi
(12.1 bar)

Materials

- All internal metal parts: 300 Series stainless steel
- Main valve body: 300 Series stainless steel
- Check assembly: Noryl®
- Flange dimension in accordance with AWWA Class D

994RPDA

Series 994RPDA Reduced Pressure Detector Assemblies are designed to protect drinking water supplies from dangerous cross-connections in accordance with national plumbing codes and water authority requirements for non-potable service applications such as irrigation, fireline, or industrial processing. This series is usually used in health hazard applications in accordance with local governing water utility code.

Models

Suffix:

LF – without shutoff valves

OSY – UL/FM outside stem and yoke resilient seated gate valves

*OSY FxG – flanged inlet gate connection and grooved outlet gate connection

*OSY GxF – grooved inlet gate connection and flanged outlet gate connection

*OSY GxG – grooved inlet gate connection and grooved outlet gate connection

CFM – cubic feet per minute meter

GPM – gallons per minute meter

Approvals

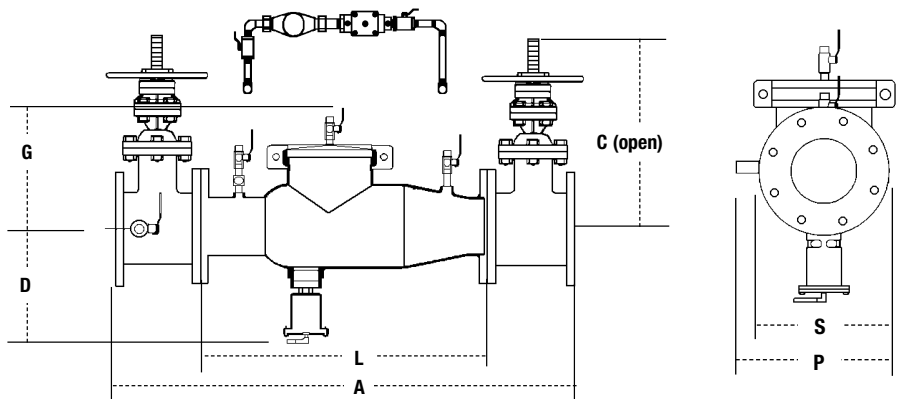


Available with grooved NRS gate valves - consult factory*

Post indicator plate and operating nut available - consult factory*

*Consult factory for dimensions

Note: The installation of a drain line is recommended. When installing a drain line, an air gap is necessary.

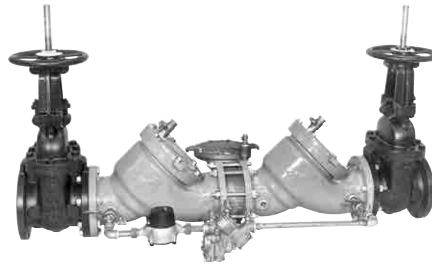


SIZE	DIMENSIONS										WEIGHTS							
	A		C		D		G		L		P		S		with Gates		without Gates	
in.	in.	mm	in.	mm	in.	mm	in.	mm	in.	mm	in.	mm	in.	mm	lbs.	kgs.	lbs.	kgs.
2½	37	940	16¾	416	10½	267	10	254	22	559	12½	318	7	178	170	77	61	28
3	38	965	18¾	479	10½	267	10	254	22	559	13	330	7½	191	205	93	65	29
4	40	1016	22¾	578	10½	267	10	254	22	559	14½	368	9	229	270	122	67	30
6	48½	1232	30⅞	765	11½	292	11½	292	27½	699	15½	394	11	279	405	184	105	48

Series 909RPDA

Reduced Pressure Detector Assemblies

Sizes: 2½" – 10" (65 – 250mm)



909RPDAOSY

Features

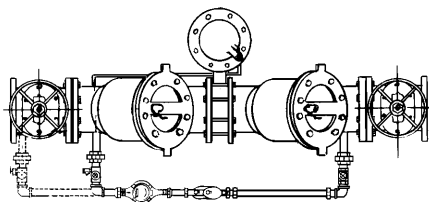
- Body construction fused epoxy coated cast iron
- Replaceable bronze seats
- Maximum flow at low pressure drop
- Compact for economy combined with performance
- Design simplicity for easy maintenance
- Furnished with 5/8" x 3/4" (16 x 19mm) meter
- Air-in/Water-out relief valve design provides maximum capacity during emergency conditions.
- No special tools required

Pressure-Temperature

Temperature Range: 33°F – 140°F
(0.5°C – 60°C)
Maximum Working Pressure: 175psi
(12.1 bar)

Materials

- Discs: Rubber
- Body: Epoxy coated cast iron
- Seat and Disc Holder: Bronze
- Trim: Stainless steel
- Test Cocks: Bronze



Note: Piping for 3" 909 will start from #1 gate valve and connect at #2 check valve.

909RPDA

Series 909RPDA Reduced Pressure Detector Assemblies are designed to protect drinking water supplies from dangerous cross-connections in accordance with national plumbing codes and water authority requirements for non-potable service applications such as irrigation, fireline, or industrial processing. This series is used in health hazard applications in accordance with local governing water utility code.

Benefits: Detects leaks with emphasis on the cost of unaccountable water; incorporates a meter which allow the water utility to:

- detect leaks that historically create great annual cost due to waste
- provide a detection point for unauthorized use. It can help locate illegal taps

Modular check design concept facilitates maintenance and assembly access. All sizes are standardly equipped with AWWA epoxy coated, UL/FM listed OSY resilient seated gate valves, CFM (cubic feet per minute) or GPM (gallon per minute) meter and ball type test cocks. A pressure differential relief valve is located in a zone between the check valves.

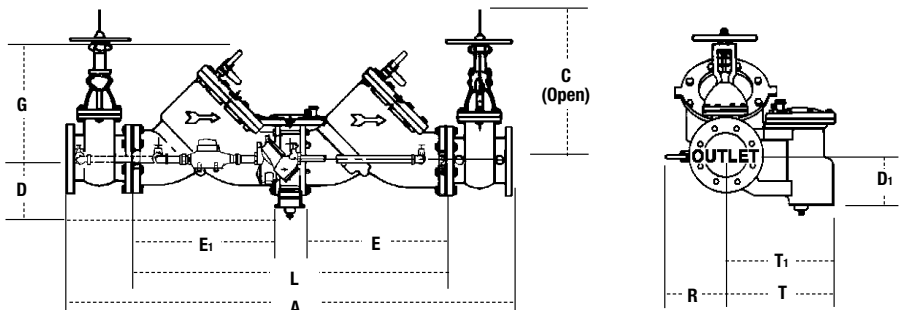
Models

- Suffix:**
OSY – UL/FM outside stem and yoke resilient seated gate valves
CFM – cubic feet per minute meter
GPM – gallons per minute meter
LF – less shutoff valves

Approvals



Approved by the foundation for Cross-Connection Control and Hydraulic Research at the University of Southern California.



SIZE	DIMENSIONS												WEIGHT									
	A		C		D		D1		E, E1		G		L		R		T		T1		lbs.	kgs.
in.	in.	mm	in.	mm	in.	mm	in.	mm	in.	mm	in.	mm	in.	mm	in.	mm	in.	mm	in.	mm		
2½"	42⅞	1070	16⅞	416	5¼	133	4¼	114	12	305	7	178	26⅞	664	14	356	9	229	7⅝	194	230	104
3"	42⅞	1070	18⅞	479	5¼	133	4¼	114	12	305	7	178	26⅞	664	14	356	9	229	7⅝	194	230	104
4"	55⅞	1400	22¾	578	6	152	5⅞	149	17	432	9½	241	37	940	15	381	13⅝	346	11¾	299	470	213
6"	66	1664	30⅞	765	6	152	6	152	20¾	527	14½	368	45	1130	16	406	13⅝	346	11¾	299	798	362
8"	78½	1994	37¾	959	9¾	248	8⅞	219	26	660	18½	470	55¼	1403	17	432	18½	470	16⅞	416	1456	660
10"	93⅞	2378	45¾	1162	9¾	248	8⅞	219	32	813	21½	546	67½	1715	18	457	18½	470	16⅞	416	2230	1012