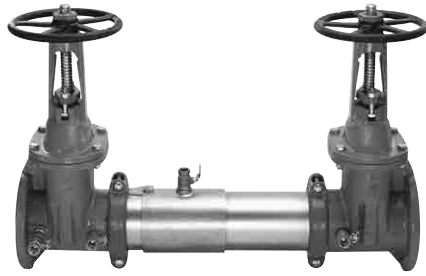


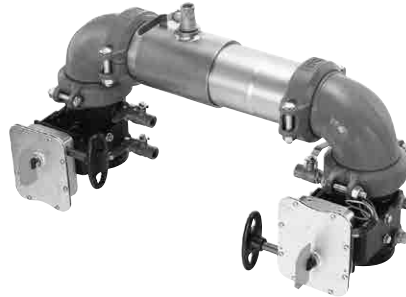
Series 757, 757N

Double Check Valve Assemblies

Sizes: 2½" – 10" (65 – 250mm)



757 OSY



757N BFG



757 OSY (Vertical)

Features

- Extremely compact design
- 70% Lighter than traditional designs
- 304 (Schedule 40) Stainless steel housing & sleeve
- Groove fittings allow integral pipeline adjustment
- Patented tri-link check provides lowest pressure loss
- Unmatched ease of serviceability
- Available with grooved butterfly valve shutoffs
- Available for horizontal, vertical or N pattern installations
- Replaceable check disc rubber
- Sizes 2½", 3" and 4" (65, 80 and 100mm) available with quarter-turn ball valve shutoffs

Pressure-Temperature

Temperature Range: 33°F – 140°F
(0.5°C – 60°C)
Maximum Working Pressure: 175psi
(12.1 bar)

757, 757N

LEAD FREE

Series 757, 757N Double Check Valve Assemblies are used to prevent backflow of non-health hazard pollutants that are objectionable but not toxic, from entering the potable water supply system. Series 757, 757N may be installed under continuous pressure service and may be subjected to backpressure and backsiphonage. Series 757, 757N consists of two independently operating check valves, two shutoff valves, and four test cocks.

Materials

- Housing & Sleeve: 304 (Schedule 40) Stainless Steel
- Elastomers: EPDM, Silicone and Buna-N
- Tri-link Checks: Noryl®, Stainless Steel
- Check Discs: Reversible Silicone or EPDM
- Test Cocks: Bronze Body Nickel Plated
- Pins & Fasteners: 300 Series Stainless Steel
- Springs: Stainless Steel

Models

Suffix:

- NRS** – non-rising stem resilient seated gate valves
- OSY** – UL/FM outside stem and yoke, resilient seated gate valves
- BFG** – UL/FM grooved gear operated butterfly valves with tamper switch
- QT** – 2½", 3" and 4" (65, 80 and 100mm) quarter-turn ball valves
- **OSY FxG** – Flanged inlet gate connection and grooved outlet gate connection
- **OSY GxF** – Grooved inlet gate connection and flanged outlet gate connection
- **OSY GxG** – Grooved inlet gate connection and grooved outlet gate connection

Available with grooved NRS gate valves - consult factory**

Post indicator plate and operating nut available - consult factory**

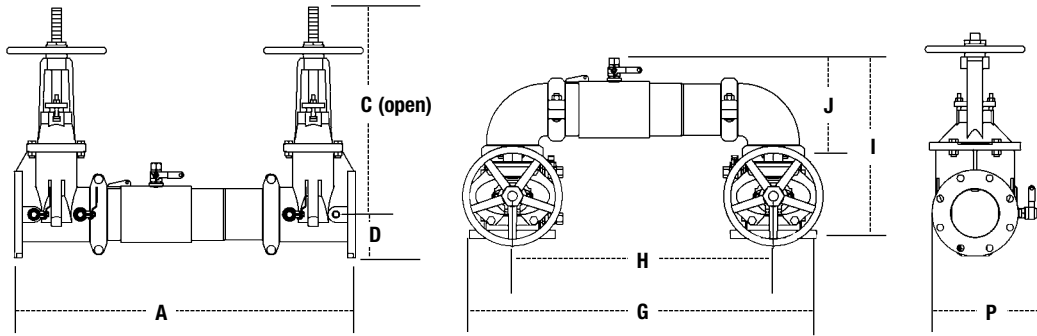
**Consult factory for dimensions

Approvals



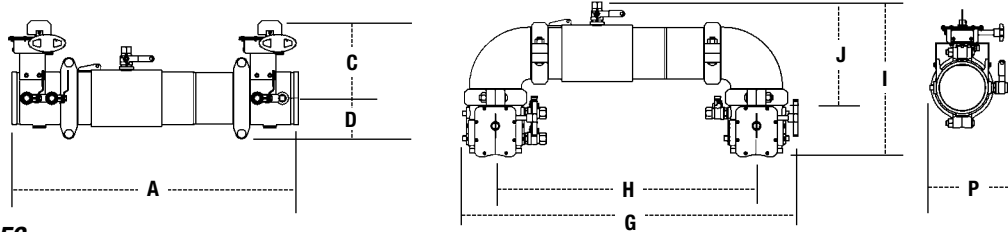
*The wetted surface of this product contacted by consumable water contains less than 0.25% of lead by weight.

Dimensions – Weights



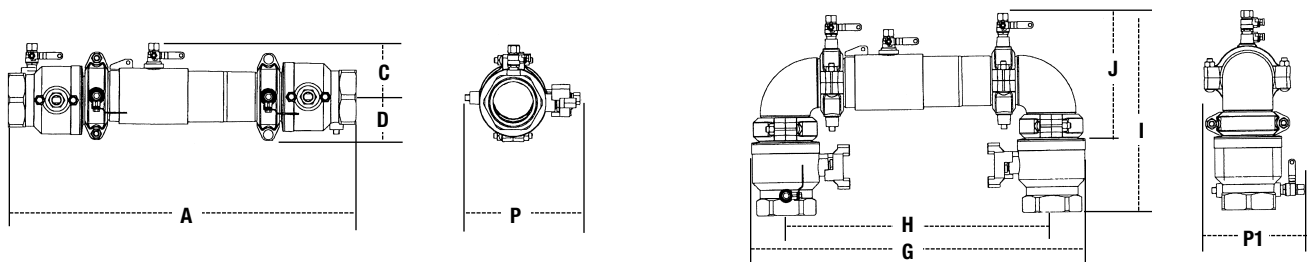
757, 757N

SIZE	DIMENSIONS										WEIGHT															
	A	C (OSY)		C (NRS)		D	G	H	I	J	P	757NRS	757OSY	757N NRS	757N OSY											
in.	in.	mm	in.	mm	in.	mm	in.	mm	in.	mm	in.	mm	in.	mm	lbs.	kgs.	lbs.	kgs.	lbs.	kgs.						
2½	31	787	16¾	416	9¾	238	3½	89	29¼	738	22	559	15½	393	8⅜	223	9⅜	234	115	52	125	57	123	56	133	60
3	31½	805	18⅞	479	10¼	260	3⅞	94	30¼	768	22¾	578	17⅞	435	9⅞	233	10½	267	131	59	145	66	144	65	158	72
4	33½	851	22¾	578	12⅞	310	4	102	33	838	24	610	18½	470	9⅞	252	11⅞	284	161	73	161	73	184	83	184	83
6	44	1105	30⅞	765	16	406	5½	140	44¾	1137	33¾	857	23⅞	589	13⅞	332	15	381	273	124	295	134	314	142	336	152
8	50	1270	37¾	959	19⅞	506	6⅞	170	54⅞	1375	40⅞	1032	27⅞	697	15⅞	399	17⅞	437	438	199	480	218	513	233	555	252
10	57½	1461	45¾	1162	23⅞	605	8¾	208	66	1676	50	1270	32½	826	17⅞	440	20	508	721	327	781	354	891	404	951	431



757BFG, 757NBFG

SIZE	DIMENSIONS										WEIGHT									
	A	C		D		G	H	I	J	P	757BFG	757N BFG								
in.	in.	mm	in.	mm	in.	mm	in.	mm	in.	mm	in.	mm	lbs.	kgs.	lbs.	kgs.				
2½	28	711	8	203	3½	89	29⅞	759	22	559	14⅞	379	8⅜	223	9	229	56	25	64	29
3	28½	724	8⅞	211	3⅞	94	30⅞	779	22¾	578	15⅞	392	9⅞	233	9½	241	54	24	67	30
4	29⅞	741	8⅞	227	3⅞	94	31⅞	811	24	610	16¼	412	9⅞	252	10	254	61	28	84	38
6	36½	927	10	254	5	127	43⅞	1097	33¾	857	19⅞	500	13⅞	332	10½	267	117	53	157	71
8	43	1092	12¼	311	6½	165	51⅞	1297	40⅞	1032	23⅞	592	15⅞	399	14⅞	361	261	118	337	153



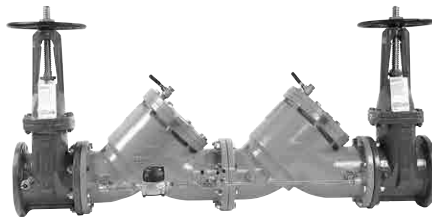
757QT

SIZE	DIMENSIONS										WEIGHT									
	A	C		D		G	H	I	J	P	P1	QT	QTN							
in.	in.	mm	in.	mm	in.	mm	in.	mm	in.	mm	in.	mm	lbs.	kgs.	lbs.	kgs.				
2½	27¼	692	4⅞	124	6⅞	175	30¼	768	24½	622	16⅞	407	11⅞	289	11⅞	287	40	18	50	23
3	28¼	718	4⅞	124	6⅞	175	30¼	768	24½	622	16⅞	420	11⅞	289	11⅞	287	50	23	60	27
4	31½	800	4⅞	124	6⅞	175	30¼	768	24½	622	18⅞	465	11⅞	289	11⅞	287	70	32	80	36

Series LF709

Double Check Valve Assemblies

Sizes: 2½" – 10" (65 – 250mm)



LF709

Features

- Replaceable stainless steel seats
- Maximum flow at low pressure drop
- Design simplicity for easy maintenance
- No special tools required for servicing
- Captured spring assemblies for safety
- Approved for vertical flow up installation

Pressure-Temperature

Temperatures Range: 33°F – 110°F
(0.5°C – 43°C) continuous,
140°F (60°C) intermittent
Maximum Working Pressure: 175psi
(12.1 bar)

LF709

LEAD FREE

Series LF709 Double Check Valve Assemblies are designed to prevent the reverse flow of polluted water from entering into the potable water system. This series can be applied, where approved by the local authority having jurisdiction, on non-health hazard installations. Series LF709 features a modular check design concept to facilitate easy maintenance. Check with local jurisdictional authority as to installation requirements. The LF709 features Lead Free* construction to comply with Lead Free* installation requirements.

Materials

- Check Valve Bodies: Epoxy coated cast iron
- Seats: Stainless Steel

Models

Suffix:

NRS – non-rising stem resilient seated gate valves

OSY – UL/FM outside stem and yoke resilient seated gate valves

S-FDA – FDA epoxy coated strainer

QT-FDA – FDA epoxy coated ball valve shutoffs

LF – without shutoff valves

Approvals



1015

B64.5

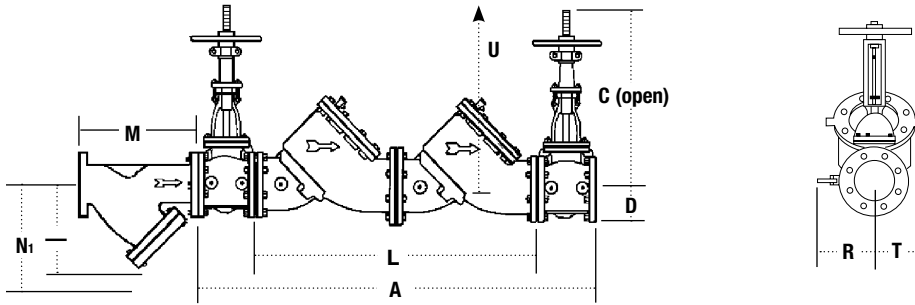
Approved by the Foundation for Cross-Connection Control and Hydraulic Research at the University of Southern California. Sizes 4" – 10" approved horizontal and vertical "flow up". Size 2½" and 3" approved horizontal only.

Factory Mutual approved 4" – 10" vertical "flow up" with OSY gate valves only.

Note: Model "S-FDA" not listed

*The wetted surface of this product contacted by consumable water contains less than 0.25% of lead by weight.

Dimensions – Weights



LF709

SIZE		DIMENSIONS														
in.	A		C (OSY)		C (NRS)		D		L		U††		M		N	
	in.	mm	in.	mm	in.	mm	in.	mm	in.	mm	in.	mm	in.	mm	in.	mm
2½	39¾	1000	16¾	416	9¾	238	3½	89	24½	613	11	279	10	254	6½	165
3	40¾	1025	18¾	479	10¼	260	3¾	95	24½	613	14	356	10⅞	257	7	178
4	52¾	1330	22¾	578	12¾ ₁₆	310	4½	114	34½	867	14	356	12⅞	308	8¼	210
6	62¾	1597	30⅞	765	16	406	5½	140	41⅞	1057	16	406	18½	470	13½	343
8	75	1905	37¾	959	19 ¹⁵ / ₁₆	506	6½	165	52	1321	21	533	21⅞	549	15½	394
10	90	2286	45¾	1162	23 ¹³ / ₁₆	605	8	203	64	1626	25	635	26	660	18½	470

LF709

SIZE		DIMENSIONS						WEIGHT						STRAINER		
in.	N1††		R		R❖		T		NRS		OSY		QT		Weight	
	in.	mm	in.	mm	in.	mm	in.	mm	lbs.	kgs.	lbs.	kgs.	lbs.	kgs.	lbs.	kgs.
2½	10	254	4	102	16	406	3	76	167	76	170	77	154	70	28	13
3	10	254	5	127	16	406	3	76	167	76	170	77	162	73	34	15
4	12	305	6	152	19¾	502	6	152	368	167	383	174	275	125	60	27
6	20	508	11	279	26	660	7½	191	627	284	707	321	611	277	122	55
8	22¾	578	11¼	286	11¼	286	9	229	1201	545	1307	593	1419	644	247	112
10	28	711	12½	318	12½	318	10¼	260	2003	909	2073	940	2466	1119	370	168

†Dimension required for screen removal. ❖Quarter-turn (QT) valve dimensions.
 ††Service clearance for check assembly from center.



Series LF007 / 007

Double Check Valve Assemblies

Sizes: 1/2" – 3" (15 – 80mm)

1

Double Check Valve Assemblies



LF007M3QT

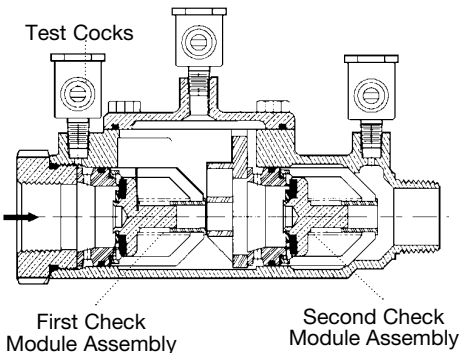
Features

- Ease of maintenance — only one cover
- Top entry
- Replaceable seats and seat discs
- Modular construction
- Compact design
- Fused epoxy coated cast iron body — 2 1/2" – 3" (65 – 80mm)
- Low pressure drop
- No special tools required for servicing
- 1/2" – 1" (15 – 25mm) have tee handles

Pressure-Temperature

1/2" – 2" (15 – 50mm)
 Temperature Range: 33°F – 180°F
 (0.5°C – 82°C).
 Maximum Working Pressure: 175psi
 (12.1 bar).

2 1/2" – 3" (65 – 80mm)
 Temperature Range: 33°F – 110°F
 (0.5°C – 43°C) continuous,
 140°F (60°C) intermittent.
 Maximum Working Pressure: 175psi
 (12.1 bar).



LF007

LEAD FREE

Series LF007 Double Check Valve Assemblies shall be installed at referenced cross-connections to prevent the backflow of polluted water into the potable water supply. Only those cross-connections identified by local inspection authorities as non-health hazard shall be allowed the use of an approved double check valve assembly. The LF007 features Lead Free* construction to comply with Lead Free* installation requirements.

Check with local authority having jurisdiction regarding vertical orientation, frequency of testing or other installation requirements.

The valve shall meet the requirements of ASSE Std. 1015 and AWWA Std. C510. Approved by the Foundation for Cross-Connection Control and Hydraulic Research at the University of Southern California.

Materials

- Sizes: 1/2" – 2" (15 – 50mm)**
- Lead Free* cast copper silicon alloy body construction
 - Top mounted Lead Free* ball valve test cocks
- Sizes: 2 1/2" – 3" (65 – 80mm)**
- Fused epoxy coated cast iron body

Models

- Sizes: 1/2" – 2" (15 – 50mm)**
Suffix:
S – copper silicon alloy strainer
LF – without shutoff valves
Prefix:
U – Union connections
- Sizes: 2 1/2" – 3" (65 – 80mm)**
Suffix:
NRS – non-rising stem resilient seated gate valves
OSY – UL/FM outside stem and yoke resilient seated gate valves
LF – without shutoff valves
QT-FDA – FDA epoxy coated quarter-turn ball valves

Approvals



- † ASSE, AWWA, IAPMO, CSA, UPC
- ▲ Approved by the Foundation for Cross-Connection Control and Hydraulic Research at the University of Southern California.
- Models with suffix LF and S are not listed.
- ◆ UL Classified (without shutoff valves only) 3/4" – 2" (except 007M3LF)
- ◆ UL Classified with OSY gate valves (2 1/2" and 3" horizontal only.)
- ▼ 1/2" - 2" models Lead Free* with strainer
 Horizontal and vertical "flow up" approval on all sizes

*The wetted surface of this product contacted by consumable water contains less than 0.25% of lead by weight.

007

For Use in Non-Potable Applications

Series 007 are designed to protect drinking water supplies from dangerous cross-connections in accordance with national plumbing codes and water authority requirements for non-potable service applications such as irrigation, fireline, or industrial processing.

Materials

- Cast bronze body construction – ½" – 2" (15 – 50mm)
- Top mounted ball valve test cocks

Models

Sizes: ½" – 2" (15 – 50mm)

Suffix:

- S – bronze strainer
- LF – without shutoff valves
- SH – stainless steel ball valve handles
- HC – 2½" inlet/outlet fire hydrant fittings (2" valve)

Prefix:

U – Union connections

Sizes: 2½" – 3" (65 – 80mm)

Suffix:

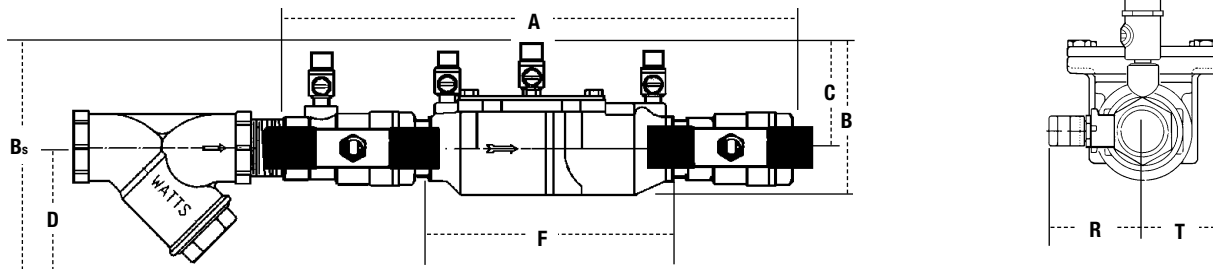
- NRS – non-rising stem resilient seated gate valves
- OSY – UL/FM outside stem and yoke resilient seated gate valves
- LF – without shutoff valves
- QT-FDA – FDA epoxy coated quarter-turn ball valves

Approvals



- † ASSE, AWWA, IAPMO, CSA, UPC
- ▲ Approved by the Foundation for Cross-Connection Control and Hydraulic Research at the University of Southern California.
- Models LF and S are not listed.
- ◆ UL Classified (LF models only) ¾" – 2" (except 007M3LF)
- ◆ UL Classified with OSY gate valves (2½" and 3" horizontal only.) Horizontal and vertical "flow up" approval on all sizes

Dimensions – Weights



Subscript 'S' = strainer model

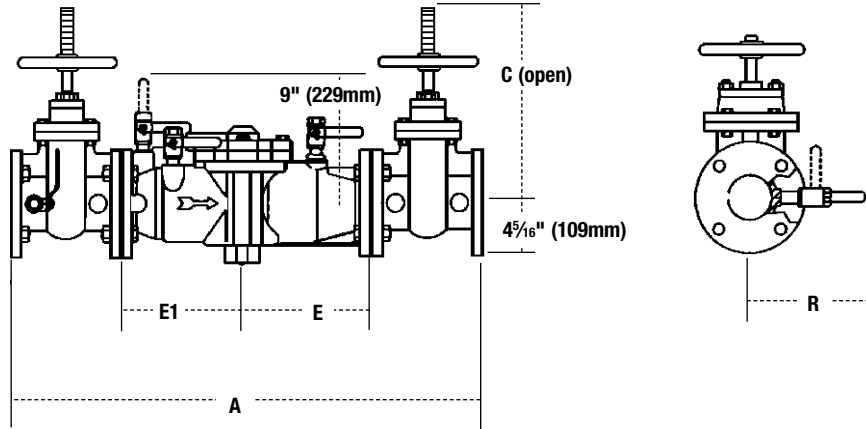
LF007 / 007 (½" – 2")

MODEL		SIZE		DIMENSIONS										WEIGHT	
		in.	mm	A	B	C	D	F	G	R	T	lbs.	kgs.		
†▲▼ LF007QT	†▲ 007QT	½	12.7	102	45	62	—	5	85	59	52	4.5	2		
†▲▼ LF007M3QT	†▲ 007M3QT	¾	19.0	282	4	79	—	6.5	87	54	33	5	2.3		
†▲▼ LF007M1QT	†▲ 007M1QT	1	25.4	337	5.5	102	—	7.5	85	43	43	12	5.4		
†▲▼ LF007M2QT	†▲ 007M2QT	1¼	31.8	416	5	84	—	9.5	127	76	50	15	6.8		
†▲▼ LF007M2QT	†▲ 007M2QT	1½	38.1	425	4.75	89	—	9.75	148	79	68	15.9	7.2		
†▲▼ LF007M1QT	†▲ 007M1QT	2	50.8	495	6.25	102	—	13.75	156	87	68	25.7	11.7		
●▼ LF007QT-S	● 007QT-S	½	12.7	330	6	62	3	5	85	59	52	5.5	2.5		
●▼ LF007M3QT-S	● 007M3QT-S	¾	19.0	368	6	79	3	6.5	87	54	33	6.7	3.1		
●▼ LF007M1QT-S	● 007M1QT-S	1	25.4	416	7.25	102	¾	7.5	85	43	43	14	6.4		
●▼ LF007M2QT-S	● 007M2QT-S	1¼	31.8	546	7.25	84	¾	9.5	127	76	50	19	8.6		
●▼ LF007M2QT-S	● 007M2QT-S	1½	38.1	637	7.25	89	¾	9.75	148	79	68	19.6	8.9		
●▼ LF007M1QT-S	● 007M1QT-S	2	50.8	692	8.25	102	4	13.75	156	87	68	33.5	15.2		

cont.

Dimensions – Weights continued

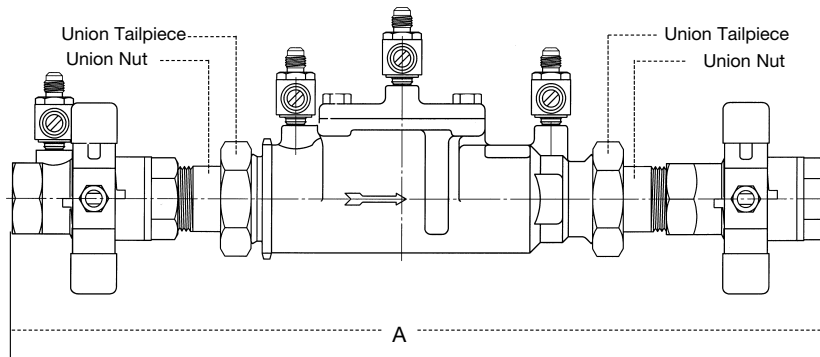
Sizes: 2½" – 3" (65 – 80mm)



LF007

MODEL		SIZE	DIMENSIONS						WEIGHT			
		in.	A		B		E, E1		R		lbs.	kgs.
			in.	mm	in.	mm	in.	mm	in.	mm		
LF007QT-FDA	007QT-FDA	2½	33⅞	841	6⅞	162	9⅞	230	8¾	222	155	70
▲ LF007-NRS	007-NRS	2½	33⅞	841	9⅞	238	9⅞	230	8¾	222	155	70
▲▲ LF007-OSY	007-OSY	2½	33⅞	841	16⅞	416	9⅞	230	8¾	222	158	72
LF007-QT-FDA	007-QT-FDA	3	33⅞	867	6⅞	162	9⅞	230	8¾	222	155	70
▲ LF007-NRS	007-NRS	3	33⅞	867	10¼	260	9⅞	230	8¾	222	185	84
▲▲ LF007-OSY	007-OSY	3	33⅞	867	18⅞	479	9⅞	230	8¾	222	185	84

Sizes: ½" – 2" (15 – 50mm)



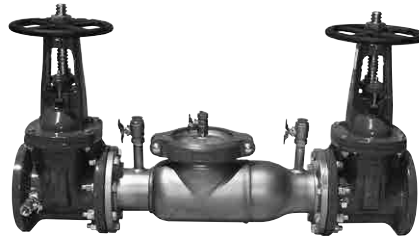
LFU007 / U007

MODEL		SIZE	DIMENSIONS	
		in.	A	
			in.	mm
LFU007QT	U007QT	½	12⅜	326
LFU007M2QT	U007M2QT	¾	13⅜	350
LFU007M2QT	U007M2QT	1	16⅞	422
LFU007M2QT	U007M2QT	1¼	20¾	527
LFU007M2QT	U007M2QT	1½	21½	546
LFU007M1QT	U007M1QT	2	24½	622

Series 774

Double Check Valve Assemblies

Sizes: 2½" – 12" (65 – 300mm)



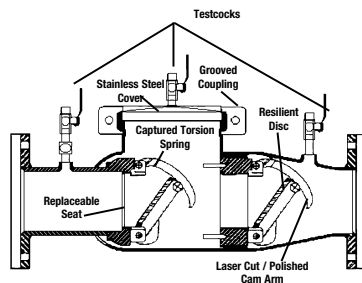
774 OSY

Features

- Torsion spring check valve provides low head loss
- Short lay length is ideally suited for retrofit installations
- Stainless steel body is half the weight of competitive designs reducing installation and shipping cost
- Stainless steel construction provides long term corrosion protection and maximum strength
- Single top access cover with two-bolt grooved style coupling for ease of maintenance
- Thermoplastic and stainless steel check valves for trouble-free operation
- No special tools required for servicing
- Compact construction allows for smaller vaults and enclosures
- May be installed in horizontal or vertical "flow up" position

Pressure-Temperature

Temperature Range: 33°F – 110°F
(0.5°C – 43°C) continuous
Maximum Working Pressure: 175psi
(12.1 bar)



774

774

LEAD FREE

Series 774 Double Check Valve Assemblies are designed to prevent the reverse flow of polluted water from entering into the potable water system. This series can be applied, where approved by the local authority having jurisdiction, on non-health hazard installations. Features short end-to-end dimensions, light weight stainless steel body, and the lowest head loss available.

Materials

- All internal metal parts: 300 Series stainless steel
- Main valve body: 300 Series stainless steel
- Check assembly: Noryl®
- Flange dimension in accordance with AWWA Class D

Models

Suffix:

NRS – non-rising stem resilient seated gate valves

OSY – UL/FM resilient seated outside stem & yoke gate valves

LF – without shutoff valves

S – cast iron strainer

****OSY FxG** – Flanged inlet gate connection and grooved outlet gate connection

****OSY GxF** – Grooved inlet gate connection and flanged outlet gate connection

****OSY GxG** – Grooved inlet gate connection and grooved outlet gate connection

Available with grooved NRS gate valves - consult factory**

Post indicator plate and operating nut available - consult factory**

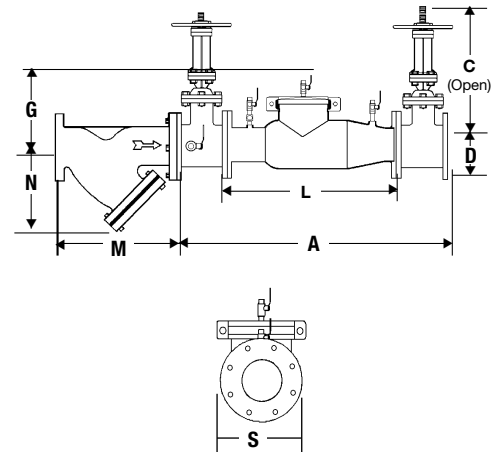
**Consult factory for dimensions

Approvals



For additional approvals consult factory. Flange dimension in accordance with AWWA Class D

*The wetted surface of this product contacted by consumable water contains less than 0.25% of lead by weight.



SIZE	DIMENSIONS														WEIGHT							
	A		C (open)				D	G		L		M	N Screen Removal	S		w/Gates		w/o Gates				
	in.	mm	OSY		NRS			in.	mm	in.	mm			in.	mm	in.	mm	lbs.	kgs.	lbs.	kgs.	
2½	38	965	16¾	416	9¾	238	3½	89	10	254	22	559	10	254	6½	165	7	178	140	64	53	24
3	38	965	18¾	479	10¼	260	3¾	95	15	381	22	559	10½	257	7	178	7½	191	215	98	55	25
4	40	1016	22¾	578	12¾	310	4½	114	10	254	22	559	12½	308	8¼	210	9	229	225	102	58	26
6	48½	1232	30½	765	16	406	5½	140	15	381	27½	699	18½	470	13½	343	11	279	375	170	105	48
8	52½	1334	37¾	959	19¾	506	6¾	171	15	381	29½	749	21½	549	15½	394	13½	343	561	254	169	77
10	55½	1410	45¾	1162	23¾	605	8	200	15	381	29½	749	26	660	18½	470	16	406	763	346	179	81
12	57½	1461	53¾	1349	26¾	679	9½	241	15	381	29½	749	29½	759	21¾	552	19	483	1033	469	209	95

Series LF719/719

Double Check Valve Assemblies

Sizes: ½" – 2" (15 – 50mm)

1

Double Check Valve Assemblies



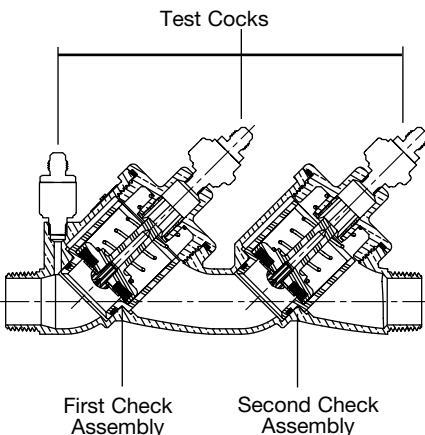
LF719QT/719QT

Features

- Separate access, top entry check valve design
- Reversible seat disc rubber, extends check valve life
- Chloramine resistant elastomers
- Replaceable seats and seat discs
- Compact design
- Top mounted screwdriver slotted ball valve test cocks
- Low pressure drop
- ½" – 1" have Tee handles
- No special tools required for servicing
- Plastic on plastic check guiding reduces potential binding due to mineral deposits

Pressure-Temperature

Temperature Range: 33°F – 180°F
(0.5°C – 82°C)
Maximum Working Pressure: 175psi
(12.1 bar)



LF719

LEAD FREE

Series LF719 Double Check Valve Assemblies are designed to protect drinking water supplies from dangerous cross connections in accordance with national plumbing codes and water authority requirements.

This series may be used in only those cross-connections identified by local inspection authorities as non-health hazard applications. Check with local authority having jurisdiction regarding vertical orientation, frequency of testing or other installation requirements. The LF719 features Lead Free* construction to comply with Lead Free* installation requirements. Series LF719 meets the requirements of ASSE Std. 1015 and AWWA Std. C510.

Materials

- Body: Lead Free* cast copper silicon alloy
- Elastomers: Chloramine resistant silicone and EPDM
- Check seats: PPO
- Disc Holder: PPO

Models

Suffix:
S – bronze strainer
QT – quarter-turn ball valves

Approvals



Approved by the Foundation for Cross-Connection Control and Hydraulic Research at the University of Southern California

*The wetted surface of this product contacted by consumable water contains less than 0.25% of lead by weight.

719

For Use in Non-Potable Applications

Series 719 Double Check Valve Assemblies are designed to protect drinking water supplies from dangerous cross-connections in accordance with national plumbing codes and water authority requirements for non-potable service applications such as irrigation, fireline, or industrial processing.

Materials

- Body: Bronze
- Elastomers: Chloramine resistant silicone and EPDM
- Check seats: Engineered Plastic
- Disc Holder: Engineered Plastic

Models

Suffix:
S – bronze strainer
LF – without shutoff valves
SH – stainless steel ball valve handles
HC – 2½" inlet/outlet fire hydrant fittings (2" valve)
QT – quarter-turn ball valves

Approvals

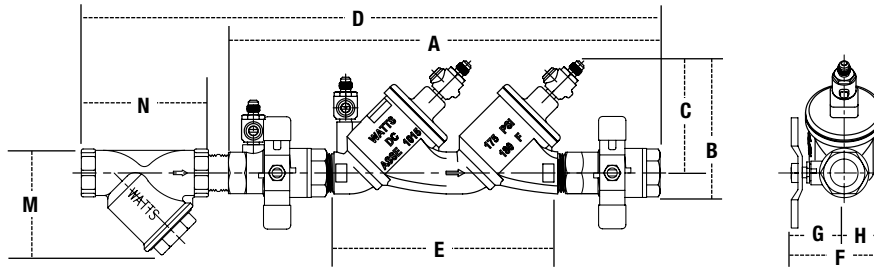


Approved by the Foundation for Cross-Connection Control and Hydraulic Research at the University of Southern California

C&T – testcock caps and tethers
AQT – street elbows with quarter-turn ball valves

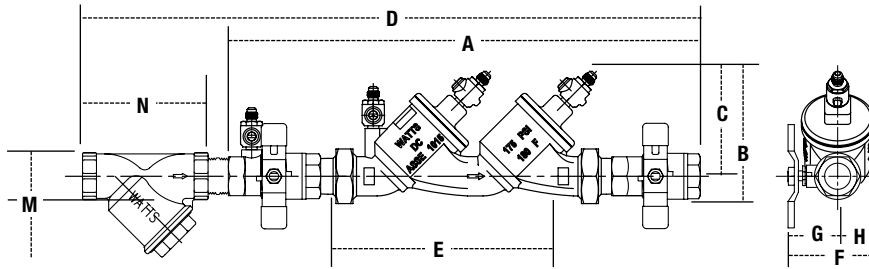
Prefix:
U – union connections

Dimensions – Weights



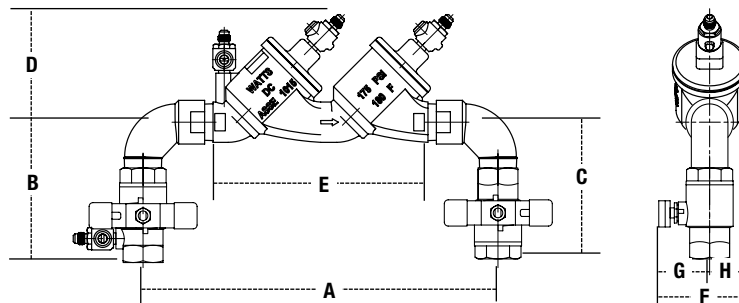
LF719QT, LF719QT-S / 719QT, 719QT-S

SIZE		DIMENSIONS										STRAINER		WEIGHT										
in.	A	B	C	D	E(LF)		F	G	H	M	N	719QT		719QT-S										
	in.	mm	in.	mm	in.	mm	in.	mm	in.	mm	in.	mm	in.	mm	in.	mm	lbs.	kgs.	lbs.	kgs.				
1/2	9 1/16	242	3 1/16	94	2 15/16	73	12 9/16	318	5 13/16	147	2 7/16	62	1 1/16	43	3/4	19	1 3/8	35	2 3/4	70	2.8	1.3	3.8	1.7
3/4	12 1/8	307	4 1/4	108	3 1/2	88	15 7/16	393	7 1/16	195	3 3/8	79	2 1/16	52	1 1/16	27	1 5/8	41	3 3/16	81	4.7	2.1	6.4	2.9
1	14 13/16	376	4 9/16	116	3 7/8	98	19 1/2	495	9 5/8	244	3 3/4	95	2 7/16	62	1 5/16	33	2 1/8	54	3 3/4	95	7.4	3.4	9.4	4.3
1 1/4	18 13/16	480	6 1/8	156	5 1/8	129	24 1/4	610	11 1/16	297	4 1/4	108	2 5/8	67	1 5/8	41	2 1/2	64	4 7/16	113	14.0	6.3	18.0	8.1
1 1/2	18 15/16	480	6 1/8	156	5 1/8	129	25 1/4	640	11 1/16	297	4 3/4	121	3 3/8	79	1 5/8	41	3	76	4 7/8	124	16.1	7.3	19.9	9.0
2	21 3/16	538	7 1/16	179	5 5/8	142	28 15/16	735	13 3/8	340	5 3/8	137	3 7/16	87	1 15/16	49	3 3/16	90	5 1/16	151	25.7	11.6	33.4	15.2



U719QT, U719QT-S

SIZE		DIMENSIONS										STRAINER DIMENSIONS		WEIGHT										
in.	A	B	C	D	E(LF)		F	G	H	M	N	U719QT		U719QT-S										
	in.	mm	in.	mm	in.	mm	in.	mm	in.	mm	in.	mm	in.	mm	in.	mm	lbs.	kgs.	lbs.	kgs.				
1/2	15 13/16	402	4 9/16	116	3 7/8	98	18 13/16	478	11 3/8	289	3	76	1 1/16	43	1 5/16	33	1 3/8	35	2 3/4	70	7.4	3.4	8.4	3.8
3/4	16 1/4	412	4 9/16	116	3 7/8	98	19 5/8	498	11 3/16	287	3 3/8	86	2 1/16	52	1 5/16	33	1 5/8	41	3 3/16	81	7.9	3.6	9.7	4.4
1	17 5/16	439	4 9/16	116	3 7/8	98	22	558	11 3/4	297	3 3/4	95	2 7/16	62	1 5/16	33	2 1/8	54	3 3/4	95	8.9	4.0	10.9	5.0
1 1/4	20 7/8	530	6 1/8	156	5 1/8	129	26	660	15 3/8	390	4 1/4	108	2 5/8	67	1 5/8	41	2 1/2	64	4 7/16	113	17.6	8.0	21.6	9.8
1 1/2	21 9/16	547	6 1/8	156	5 1/8	129	27 7/8	708	15 3/8	390	4 3/4	121	3 3/8	79	1 5/8	41	3	76	4 7/8	124	19.8	9.0	23.5	10.7
2	24 3/16	621	7 1/16	179	5 5/8	142	32 3/16	817	16 3/4	425	5 3/8	137	3 7/16	87	1 15/16	49	3 3/16	90	5 1/16	151	30.0	13.6	37.7	17.1



719AQT

SIZE		DIMENSIONS										WEIGHT						
in.	A	B	C	D	E(LF)		F	G	H									
	in.	mm	in.	mm	in.	mm	in.	mm	in.	mm	in.	mm	lbs.	kgs.				
1/2	7 7/8	200	3 5/16	84	2 15/16	73	2 15/16	73	5 13/16	147	2 7/16	62	1 1/16	43	3/4	19	3.4	1.5
3/4	13 7/16	340	4 13/16	121	4 9/16	116	3 1/2	98	7 1/16	195	3 1/8	79	2 1/16	52	1 1/16	27	5.7	2.6
1	12 11/16	322	5	127	4 3/8	110	3 7/8	98	9 5/8	244	3 3/4	95	2 7/16	62	1 5/16	33	8.9	4.0
1 1/4	15 3/16	386	5 11/16	144	5 1/16	144	5 1/8	129	11 1/16	297	4 1/4	108	2 5/8	67	1 5/8	41	15.7	7.1
1 1/2	15 13/16	401	6 3/16	156	6 3/16	156	5 1/8	129	11 1/16	297	4 3/4	121	3 3/8	79	1 5/8	41	18.4	8.3
2	17 3/8	441	6 5/8	168	6 9/16	167	5 5/8	142	13 3/8	340	5 3/8	137	3 7/16	87	1 15/16	49	29.0	13.1