



Terrazzo-Ware™ Mop Sink - Corner Series



TCR-28



TNC-24-TF2

Fixture May Show Some Available Options

Please visit www.acorneng.com for most current specifications.

Terrazzo Corner Mop Sink

ACORN Terrazzo-Ware™ precast mop sinks provide flexibility in configuration and size as required by the design of the building and the specific installation. Mop sinks are attractive, durable fixtures designed to be easy to install and maintain. Corner mop sinks are designed in corner round or neo-corner models. Custom sizes and colors are also available.

Construction is one piece, precast terrazzo composed of marble chips cast in Portland cement to provide a compressive strength of at least 3,000 PSI seven days after casting. The mop sink surface is ground smooth and sealed to provide years of service.

Integral Drain is supplied with a removable, stainless steel grid strainer and provides for an inside caulked connection to a 3" pipe. The mop sink has coved corners and is pitched to the drain outlet to provide positive drainage. A beehive dome strainer is optionally available.

Front Shoulder is dropped 6" to allow easier bucket tipping. A stainless steel cap is provided on this dropped front shoulder for additional protection. Other shoulders are provided without caps exposing the natural terrazzo finish. The front shoulder of neo-corner sinks may be optionally specified at standard (12") height. When 12" standard height is specified, other shoulders may be capped with stainless steel for protection.

Tiling Flanges made of galvanized steel are provided loose as an easy to install accessory when flexibility and simplicity are desired. As an alternative, factory installed galvanized steel tiling flanges extending at least 1" above the shoulder can be specified.

Accessories to complement and complete the installation of the mop sink include:

- chrome finish faucets
- 36" hose to reduce splashing with wall hanger to support the hose
- mop hanger for easy storage of the mop over the sink
- rubber drain gaskets for easy installation of the fixture
- stainless steel wall guards to protect sensitive walls from splashing water
- tiling flanges for simple, flexible field installation

GUIDE SPECIFICATION

Provide and install an **ACORN Corner Mop Sink** (specify model number and options). Mop Sink shall be made of precast terrazzo to produce a compressive strength of at least 3,000 PSI seven days after casting. All exposed surfaces shall be ground smooth and sealed. No air holes or pits shall be allowed on the finished surface. Sink shall have coved corners and be pitched to the drain outlet for positive drainage. Integral drain shall have a stainless steel strainer and provide for an inside caulked connection to a 3" pipe. The manufacturer will provide to the installer the necessary installation instructions.



Terrazzo-Ware™: Mop Sink-Corner Series

BASE MODEL, SIZE & TYPE

- TCR-28** 28" Terrazzo Corner Round Mop Sink
- TNC-24** 24" Terrazzo Neo-Corner Mop Sink
- TNC-32** 32" Terrazzo Neo-Corner Mop Sink
- TNC-36** 36" Terrazzo Neo-Corner Mop Sink

SUFFIX OPTIONS

- BDS Beehive Dome Strainer
- OC Optional Colors (contact factory)
- SH Standard Height (12") Front Shoulder (TNC Models Only)
- SSC Stainless Steel Cap (requires - SH option)

TILING FLANGES (factory installed)

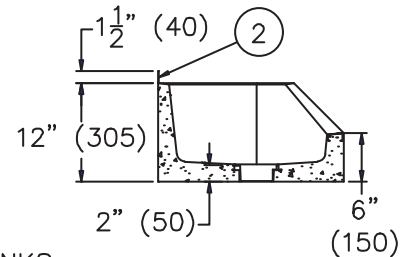
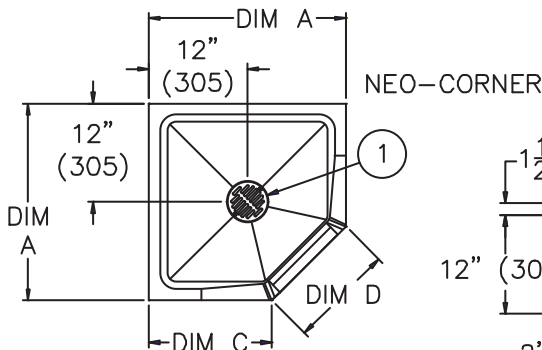
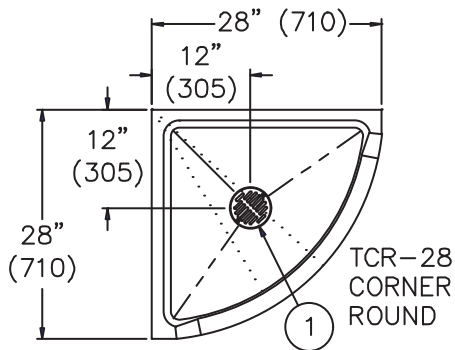
- TF1 Tiling Flange, One Side
Specify side: Left Right
- TF2 Tiling Flange, Two Sides

ACCESSORIES

- KDG3 Rubber Drain Gasket for 3" Waste Pipe
- KF Tiling Flange(s) (Shipped Loose)
Specify length(s):
 24" Qty: _____ 28" Qty: _____
 32" Qty: _____ 36" Qty: _____
- KFC Faucet, Chrome Finish (H & C)
- KH36 Hose 36" Long with Wall Hanger
- KMH Mop Hanger with 3 Grips on a Stainless Steel Bracket
- KWG Wall Guard (Shipped Loose)
Specify length(s):
 24" Qty: _____ 28" Qty: _____
 32" Qty: _____ 36" Qty: _____
- LB Lint Basket/Strainer

Please visit www.acorneng.com for most current specifications.

| MODEL NUMBER | TYPE | SIZES/DIMENSIONS | | |
|--------------|------------|------------------|-----------|---------------|
| | | A | C | D |
| TNC-24 | NEO-CORNER | 24" (610) | 15" (380) | 12-3/4" (325) |
| TNC-32 | NEO-CORNER | 32" (815) | 15" (380) | 24" (610) |
| TNC-36 | NEO-CORNER | 36" (915) | 17" (430) | 26-7/8" (685) |



NOTES:

TERRAZZO-WARE CORNER SERIES MOP SINKS

1. Integral drain with removable grid strainer. Drain provides inside caulk connection to 3" pipe.
2. -TF Tiling Flange. Shown for reference only.

| | |
|---|--|
| <p>Important: Installation instructions and current rough-in are furnished with each fixture. Do not rough in without certified dimensions. Dimensions are subject to manufacturer's tolerance of plus or minus 1/4" and change without notice. Acorn assumes no responsibility for use of void or superseded data. © Copyright 2007 Acorn Engineering Company</p> | |
| <p>Selection Summary</p> <p>Model No. & Option _____</p> <p>Quantity _____</p> | <p>Approved for Manufacturing</p> <p>Company _____ Title _____</p> <p>Signature _____ Date _____</p> |